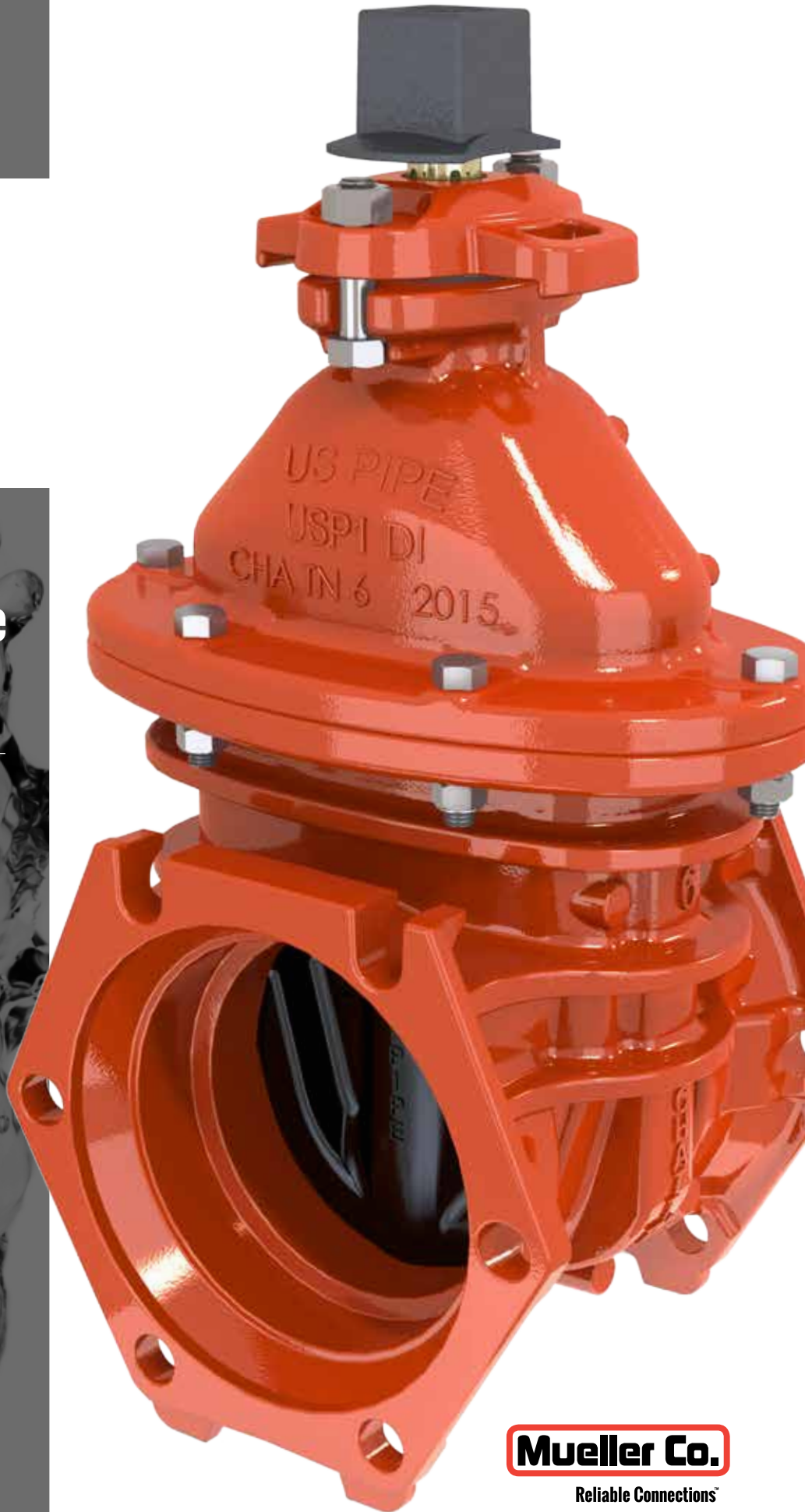




**U.S.
PIPE**

350 psi Resilient Wedge Gate Valves

Meets AWWA C515, UL Listed/
FM Approved and Certified to
ANSI/NSF 61, ANSI/NSF 372



Mueller Co.
Reliable Connections™

350 psi Resilient Wedge A-USP1 Gate Valves

Sizes 3"-12"

1 Triple O-rings and Dirt Seal

A dirt seal at the top keeps out debris. Two O-rings above the stem thrust collar bearing area isolate it from ground contaminants, and one below isolates it from the waterway. The two upper O-rings and the dirt seal can easily be replaced in the line while the valve is under pressure in the fully open position.

2 Forged Bronze Stem and Thrust Collar

This time-tested design has two thrust washers and has repeatedly proven its superior strength over cast stems.

3 O-Ring

Provides a superior bonnet seal.

4 Bronze Stem Nut

The nut is electrically isolated from the iron in the wedge for corrosion resistance. The nut is held tightly in place to resist stem binding.

5 Polymer Wedge Guide Bearing Caps

Provides a bearing surface between the encapsulated wedge and the interior epoxy coating, lowering operating torque and extending the service life of the valve.

6 Oversized, Full Port Opening, Smooth Waterway

The bottom of the waterway has no grooves or recesses to collect sediment or debris and compromise the seal. It accommodates full-sized shell cutters with ample clearance during tapping operations.

7 Mueller PRO-GARD® Epoxy Coating System

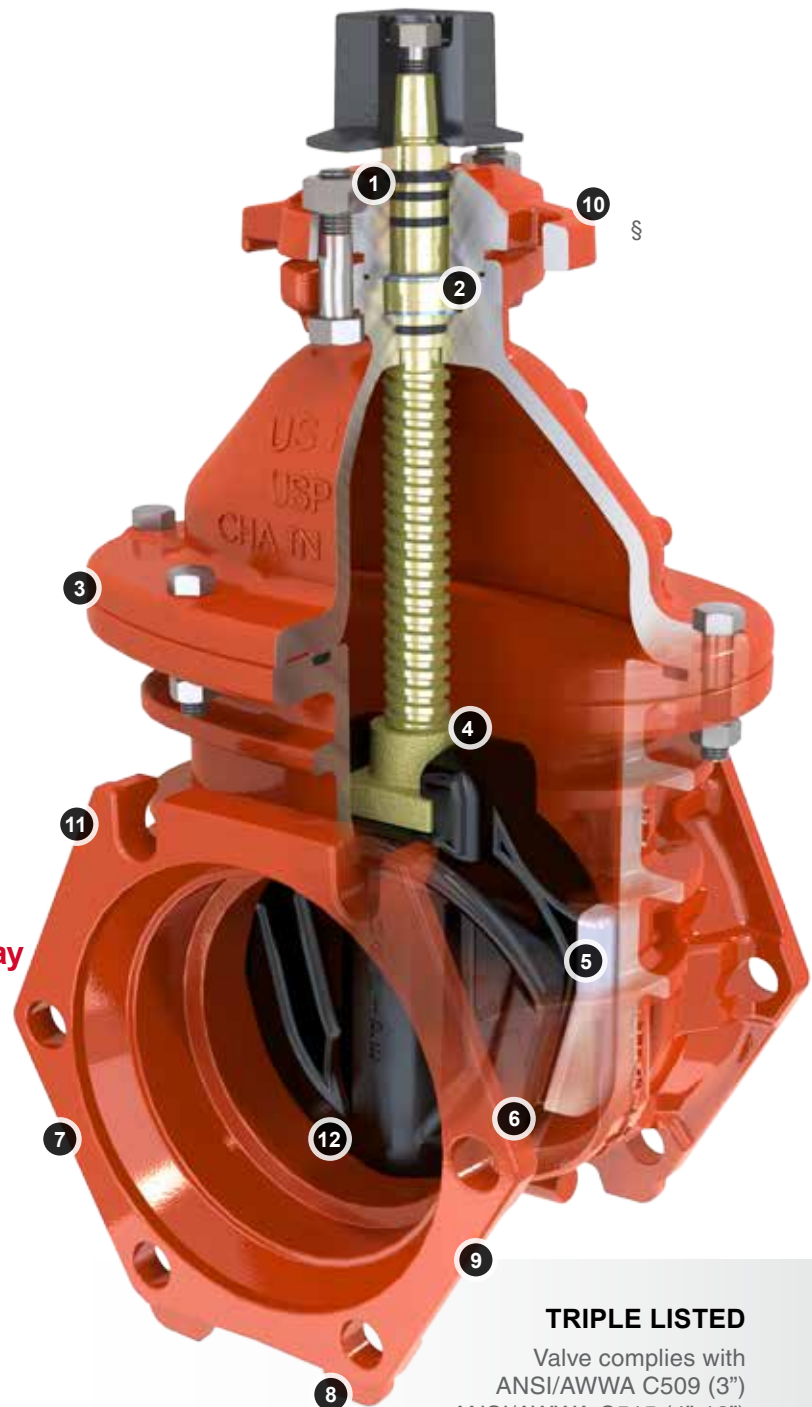
The superior fusion-bonded (thermosetting) powder epoxy covers the interior and exterior with a thickness of 10 mils nominal. The powder epoxy coating fully complies with ANSI/AWWA Standard C550.

8 Integral Legs

Flats cast in the bottom of the valve body help the valve stand upright in storage or during installation.

9 Available End Connections

FL x FL, MJ x FL, MJ x MJ, SL x SL, and FL x SL.



TRIPLE LISTED

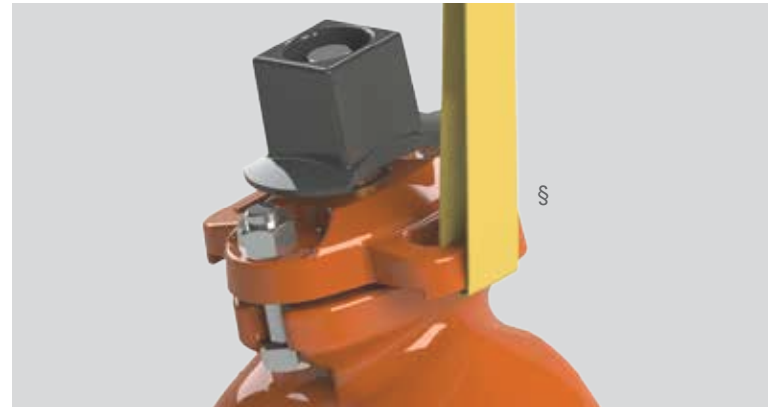
Valve complies with
ANSI/AWWA C509 (3")
ANSI/AWWA C515 (4"-12")

Listed by Underwriters
Laboratory Inc. and ULC

Approved by Factory Mutual Corp.

10 Integrated Lift Lugs

A-USP1 resilient wedge gate valves also feature dual-purpose lifting lugs. The ductile iron lugs provide stability and alignment for the valve box. They instantly align the valve box (up to 8" valve side) and eliminate the need for a valve box adapter (standard 7-1/2" I.D.). The lugs can accommodate straps or hooks, providing the contractor with options for lifting and installing while increasing site safety and ease of installation.



11 T-head Bolt Retention

On all A-USP1 resilient wedge gate valves with MJ flange connections, we have designed a nesting area for T-head bolts to prevent rotation during pipe installation. This unique feature improves site safety, speeds installation, eliminates the need for special anti-rotation bolts, and results in a water-tight connection.



12 Self-Activating Wedge Seal

The shape of the iron wedge casting and the elastomeric encapsulation are specifically designed to provide positive stop, without over-stressing the elastomer or epoxy lining. The maximum operating torque at 350 psi is comparable to current values at 250 psi.



14"-54" USP1 Series Resilient Wedge Gate Valves

In addition to all of the features of the smaller USP1 series valves, 14"-54" USP1 series resilient wedge valves feature an 18"-54" manganese bronze casted stem with integral thrust collar.

Size	AWWA C515 Working Pressure (psig)	UL Working Pressure (psig)	FM Working Pressure (psig)
14"-16"	250	250	250
18"-24"	250	175*	175
20"-48"	250	-	-
54"	250	-	-

* UL Listed without gearing



**VALVE &
HYDRANT**

Our Products

Mueller Co. manufactures U.S. Pipe® Valve & Hydrant branded fire hydrants and gate valves, as well as a variety of other water distribution and fire protection products. Our valves and hydrants are manufactured in the United States at plants specifically designed to make only these products. These plants are ISO 9001 certified, your assurance they operate under the highest quality standards.

Our People

Our customer service representatives are dedicated to helping you with your water distribution flow control needs. Their experience and thorough understanding of valves and hydrants means you can count on getting the assistance you are looking for when you call our toll-free number.

For more information about U.S. Pipe Valve & Hydrant water products, please visit www.uspvh.com or call customer service at 800.871.2194.

Other Innovative Products



Sentinel® 250 Hydrant

- 250psi (1725 kPa/17 Barg) working pressure
- Conforms to AWWA C502 and UL Listed/FM Approved
- Ductile iron upper barrel and bonnet, which is twice the tensile strength of cast iron
- Bolt-less construction at the bonnet and shoe means no bolt corrosion and seizing for maintenance
- Self-lubricating grease chamber



U.S. Pipe Valve & Hydrant, LLC

500 Eldorado St.
Decatur, IL 62522
www.uspvh.com

Phone: 217.425.2194
Toll Free: 1.800.871.2194
support@uspvh.com

Copyright © 2017 U.S. Pipe Valve & Hydrant, LLC. All Rights Reserved.

The trademarks, logos and service marks displayed in this document herein are the property of U.S. Pipe Valve & Hydrant, LLC, its affiliates or other third parties. Products above marked with a section symbol (§) are Subject to patents or patent applications. For details, visit www.mwppat.com. These products are intended for use in potable water applications. Please contact your U.S. Pipe Valve & Hydrant Sales or Customer Service Representative concerning any other application(s).

Form 12954USPVH - Rev 1/17