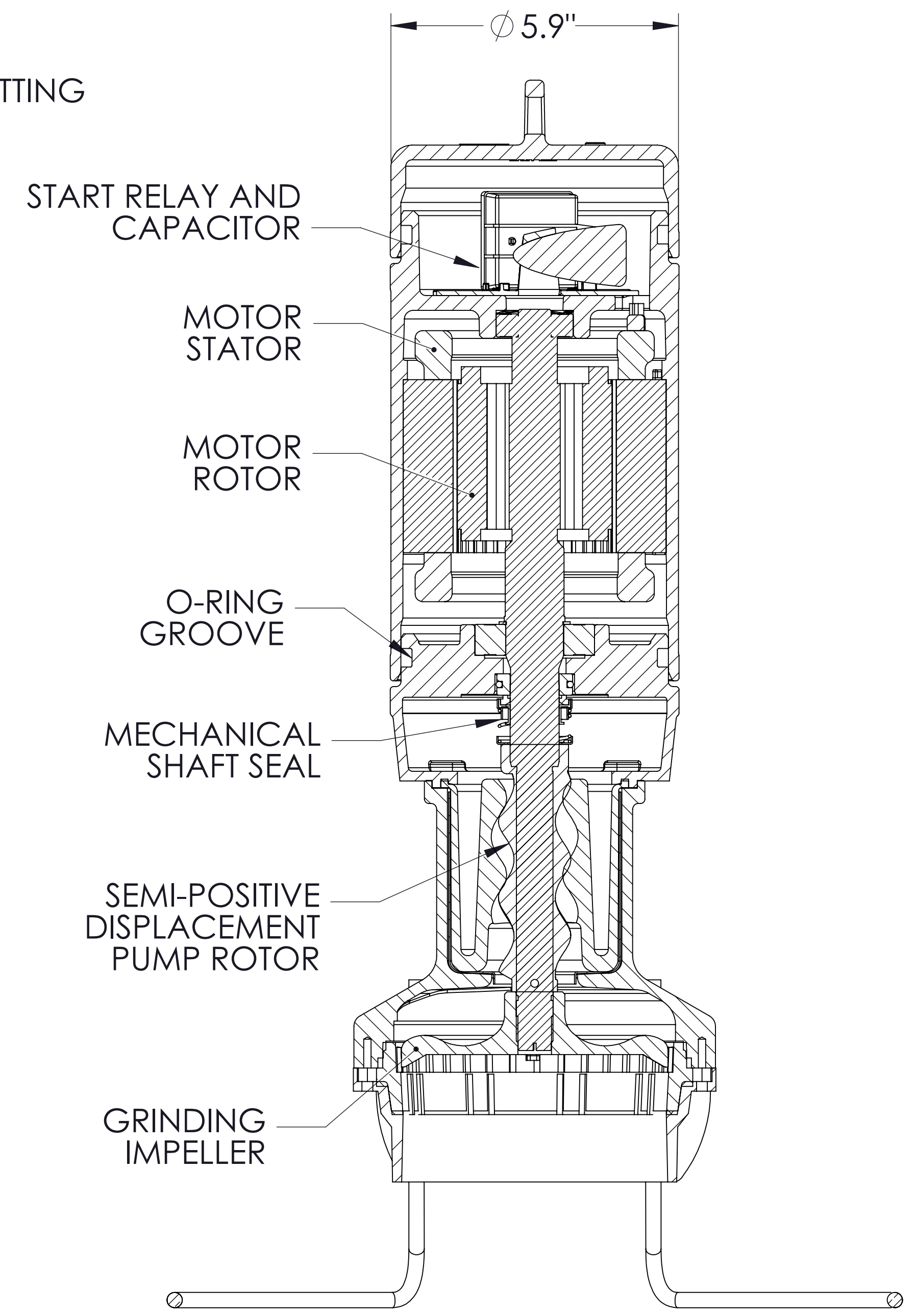
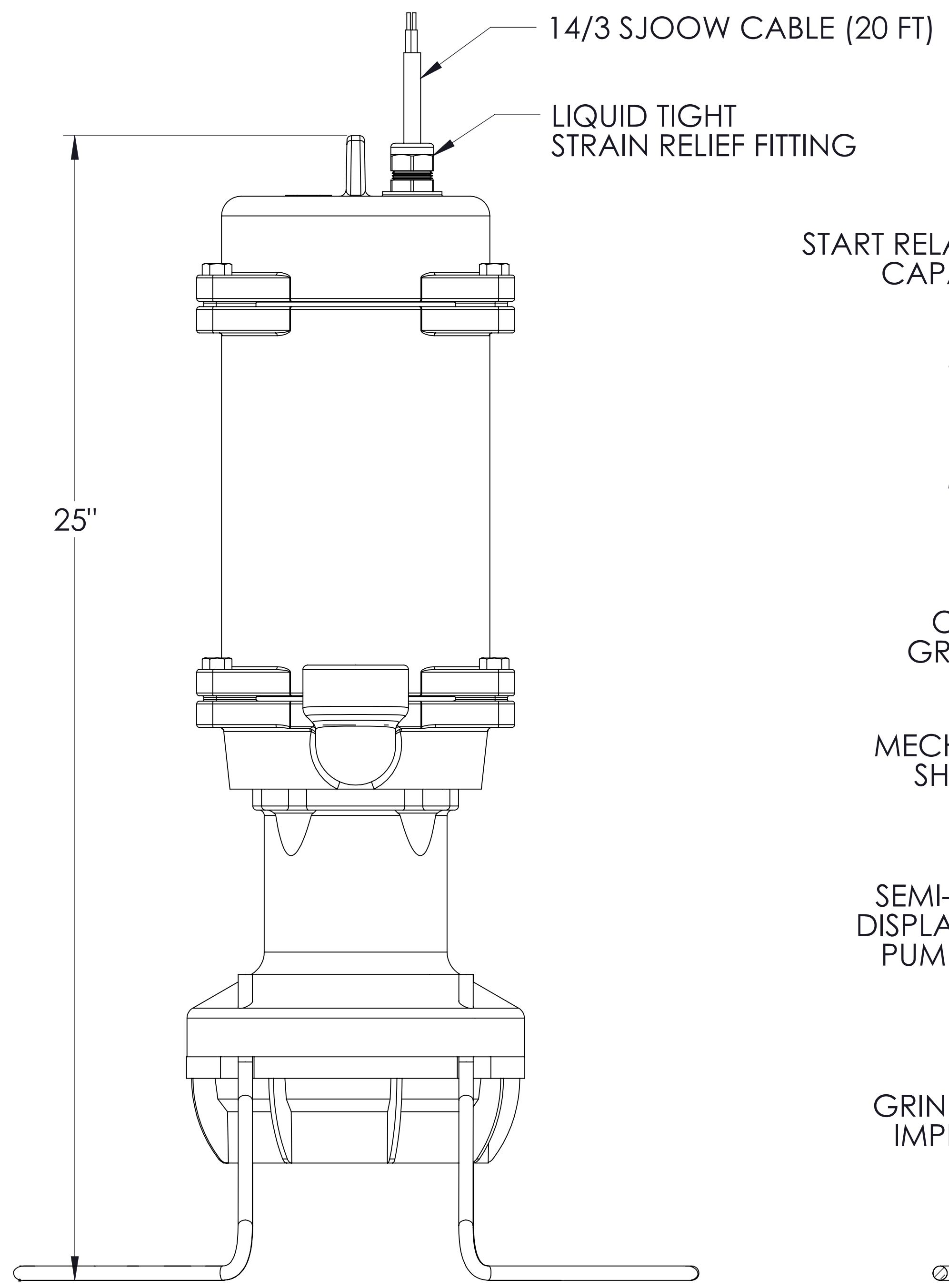
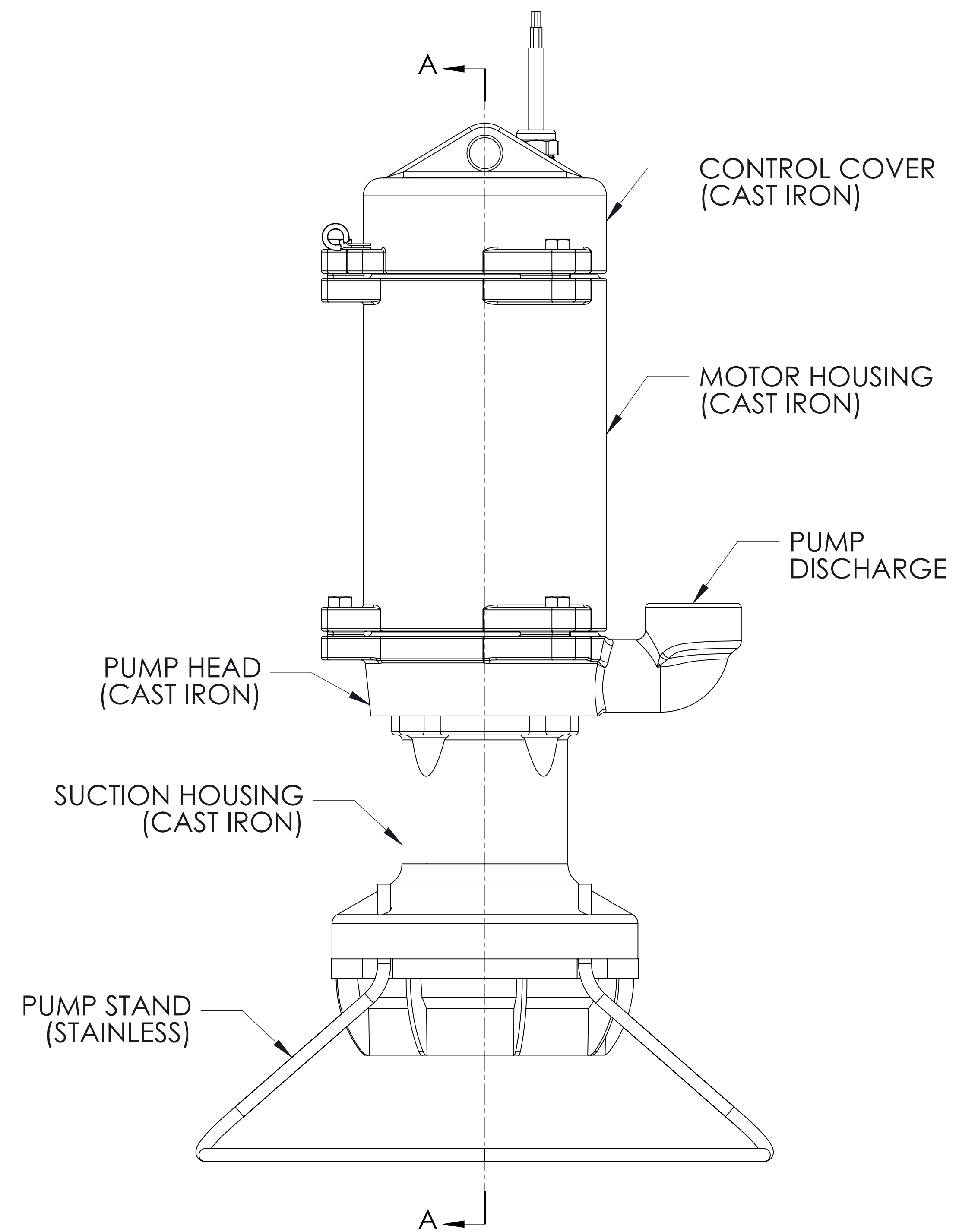


REV	DESCRIPTION	ECN	DATE	BY
-	PUMP PARTS DRAWING		7/30/14	DN



SECTION A-A

PROPRIETARY INFORMATION
 This document includes proprietary information of Environment One Corporation and may not be used for purposes other than that for which it was originally furnished, except with the written permission from Environment One Corporation.

UNLESS OTHERWISE SPECIFIED THE FOLLOWING APPLIES: DIMENSIONING AND TOLERANCING AS PER ASME Y14.5	DR: CHK: ENG: RELEASED:	
ALL UNITS IN INCHES DEFAULT TOLERANCES: INCH X .#0.1 XX .#0.02 XXX .#0.005 ANGLE ± .0° EONE SHOP PRACTICE PER E-8002-01	SCALE: 1:2 VOLUME: 351.42 in ³	
<p>3/4 HP PUMP</p> <p>ENG MODEL: 75 hp pump assembly</p>		<p>DRAWING NUMBER: SH 1 OF 1</p> <p>REV: -</p>